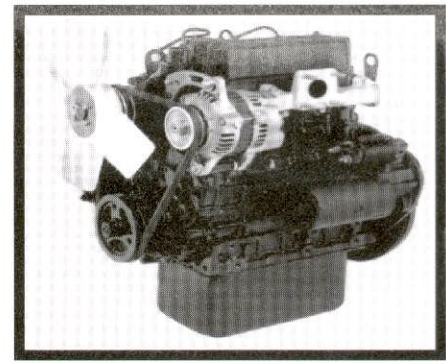


MITSUBISHI

ENGINE NORTH AMERICA



L - SERIES

5.4 to 22.7 HP

		Model	L2E	L3E
Specifications	Type	4-cycle, water-cooled, diesel Natural-aspirated		
	Cylinder arrangement - Bore x Stroke mm	76 X 70	76 X 70	
	Engine Configuration	Inline 2 Cyl.	Inline 3 Cyl.	
	Total Displacement	0.635	0.952	
	Combustion System	Swirl Chamber - IDI		
	Dry Weight kg / lbs.	61 / 135	75 / 165.3	
	Starting System	Electric starting with cell starter		
	Fuel Oil	Diesel fuel oil (ASTM No. 2-D)		
	Power Unit	Continuous Power Rating Output kWm (HP)	1500 rpm	4.3 (5.7)
1800 rpm			5.3 (7.1)	8.2 (11.0)
2000 rpm			6.0 (8.0)	9.3 (12.4)
2200 rpm			6.6 (8.9)	10.2 (13.7)
2500 rpm			7.4 (10.0)	11.6 (15.6)
3000 rpm			8.6 (11.5)	13.2 (17.7)
3600 rpm			9.9 (13.3)	15.2 (20.4)
One-hour Power Rating Output kWm (HP)		1500 rpm	4.7 (6.3)	7.4 (9.9)
		1800 rpm	5.9 (7.9)	9.1 (12.2)
		2000 rpm	6.6 (8.9)	10.2 (13.7)
		2200 rpm	7.4 (9.9)	11.3 (15.2)
		2500 rpm	8.2 (11.0)	12.9 (17.2)
		3000 rpm	9.6 (12.8)	14.7 (19.7)
		3600 rpm	★ 11.0 (14.8) ☆	★ 16.9 (22.7) ☆
* One-Hour Rated Spec. Available June 2000				
Generators	Prime Power	50Hz 1500 rpm	4.0 (5.4)	6.3 (8.5)
		60Hz 1800 rpm	5.0 (6.7)	7.8 (10.4)
	Stand-By	50Hz 1500 rpm	4.7 (6.3)	7.4 (9.9)
		60Hz 1800 rpm	★ 5.9 (7.9) ☆	★ 9.1 (12.2) ☆

☆ EPA CERTIFICATION

★ CARB CERTIFICATION

CONSTRUCTION

- Ribbed thin-wall cast iron crankcase for added strength and durability.
- Internal crankcase breather for reduced emissions.
- Extra large bearing surfaces for low bearing loads and long life.

LUBRICATION

- Designed to run at up to 25 degrees of inclination and includes a full flow spin-on cartridge filter.
- Forced circulation by gear pump.
- Oil Capacity: L2E—0.63 gal. (2.4 lit.)
L3E—0.95 gal. (3.6 lit.)

FUEL & COMBUSTION SYSTEMS

- Bosch style fuel injection pump.
- Indirect injection combustion system for low noise and emissions.
- Cylinder head is a cross-flow, pre-chamber design to increase efficiency of combustion.

MOUNTING

- Standard crankcase side mounting pads for flexible mounting arrangements.
- Rear engine support available from side mounting pads on SAE 5 housing.

COOLING

- Forced coolant circulation by centrifugal pump.
- Cooling packages available for ambient temperatures up to 122°F (50°C).
- Cooling Fan (Std. Eqt.): Variable Speed (VS)—Suction
Generator Drive (GD)—Pusher

ELECTRIC SYSTEM

- Starter: L2E—12V, 1.2kW; L3E—12V, 1.7kW
- Alternator: 12V, 40 amp with integral regulator.
- Glow Plugs: 12V
- High water temperature and low oil pressure switches.
- Stop Solenoid: 12V integrated ETR stop solenoid eliminates external linkage.

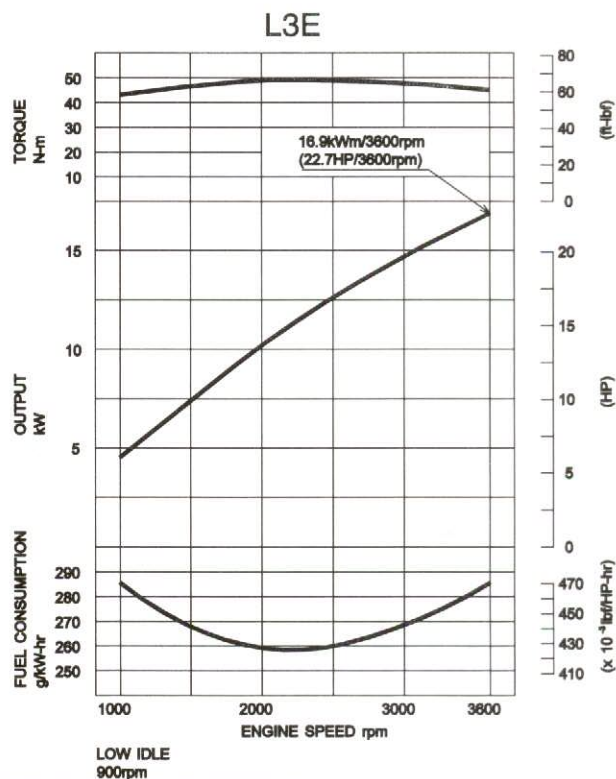
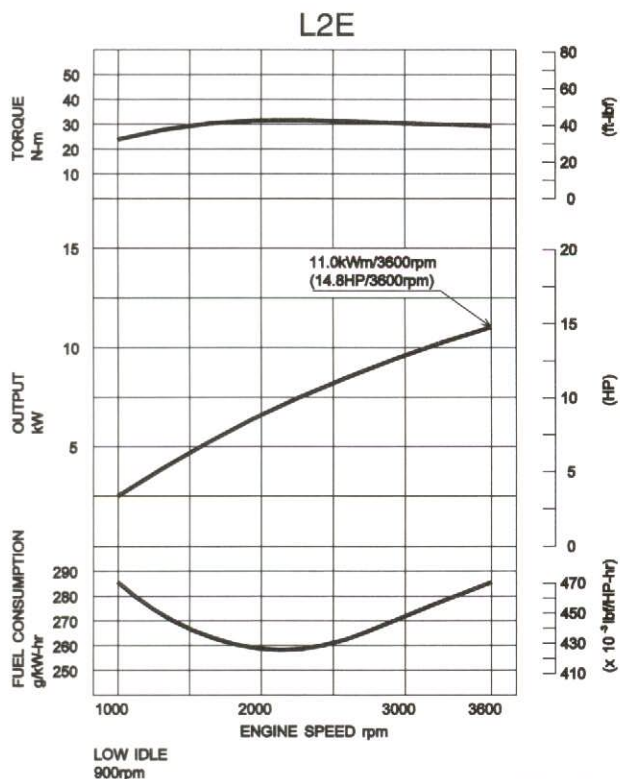
GOVERNING

- Mechanical centrifugal governing is provided for either variable or constant speeds.

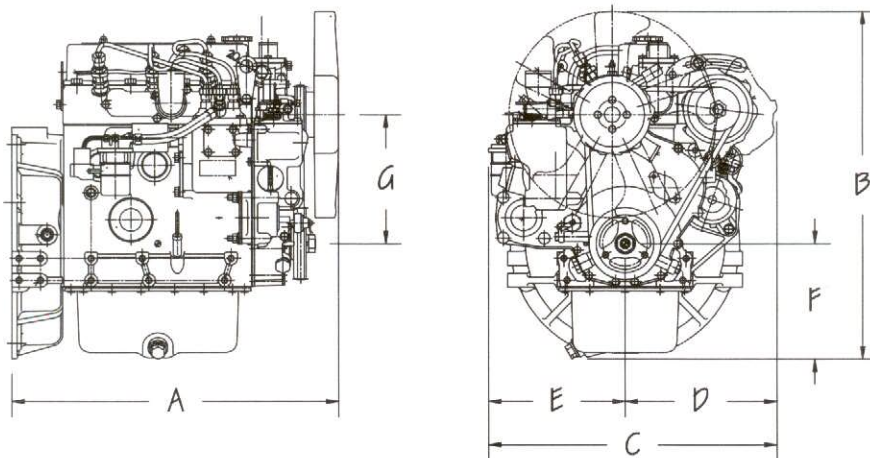
DRIVES

- SAE 5 flywheel housing and 6.5 inch SAE flywheel (GD & VS-1 models).
- Flat face flywheel (VS-2 models).
- Rotation direction: counter-clockwise, facing the flywheel end.
- Limited power hydraulic drives are available for mounting at the gear end.

L-SERIES TECHNICAL DATA



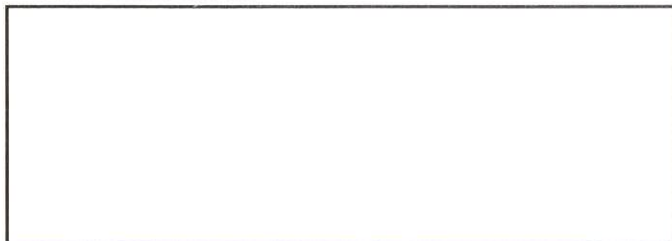
Rating: SAE J1349 with cooling fan. Note that output ratings apply only to fully run-in engines.



	A	B	C	D	E	F	G
L2E	17.65	20.61	17.64	9.29	8.35	7.03	7.9
L3E	21.9	21.22	17.64	9.29	8.35	7.03	7.9

General dimensions are in inches.

Your Distributor Is:



MITSUBISHI ENGINE NORTH AMERICA, INC.

1250 Greenbriar Drive, Ste. E
Addison, IL 60101-1065
(630) 268-0750
Fax (630) 268-9293
www.mitsubishi-engine.com